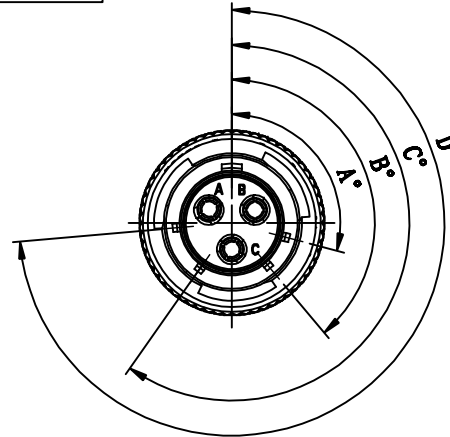
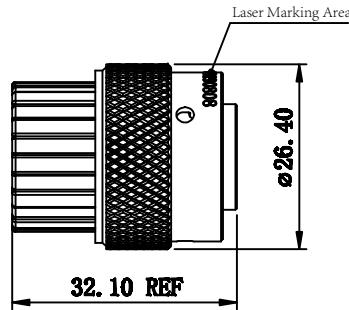
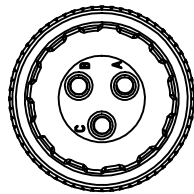


No	series	Plug PN	Housing	Connection Sleeve	Socket assembly	Backup
1	X01-P03-H1202-N02	A1-XXC109F036	X01-P01-H1201-N06	X01-P01-H1201-004	B1-XXC109005	N Key /black/2.5mm <sup>2</sup> Unshielded Cable
2	X01-P03-H1202-W02	A1-XXC109F037	X01-P01-H1201-W06	X01-P01-H1202-004		W Key /yellow/2.5mm <sup>2</sup> Unshielded Cable
3	X01-P03-H1202-X02	A1-XXC109F038	X01-P01-H1201-X06	X01-P01-H1203-004	B1-XXC109004	X Key /red/2.5mm <sup>2</sup> Unshielded Cable
4	X01-P03-H1202-Y02	A1-XXC109F039	X01-P01-H1201-Y06	X01-P01-H1204-004		Y Key /green/2.5mm <sup>2</sup> Unshielded Cable
5	X01-P03-H1202-Z02	A1-XXC109F040	X01-P01-H1201-Z06	X01-P01-H1205-004	B1-XXC109004	Z Key /blue/2.5mm <sup>2</sup> Unshielded Cable
6	X01-P03-H1202-N04	A1-XXC109F041	X01-P01-H1201-N06	X01-P01-H1201-004		N Key /black/4mm <sup>2</sup> Unshielded Cable
7	X01-P03-H1202-W04	A1-XXC109F042	X01-P01-H1201-W06	X01-P01-H1202-004		W Key /yellow/4mm <sup>2</sup> Unshielded Cable
8	X01-P03-H1202-X04	A1-XXC109F043	X01-P01-H1201-X06	X01-P01-H1203-004		X Key /red/4mm <sup>2</sup> Unshielded Cable
9	X01-P03-H1202-Y04	A1-XXC109F044	X01-P01-H1201-Y06	X01-P01-H1204-004		Y Key /green/4mm <sup>2</sup> Unshielded Cable
10	X01-P03-H1202-Z04	A1-XXC109F045	X01-P01-H1201-Z06	X01-P01-H1205-004		Z Key /blue/4mm <sup>2</sup> Unshielded Cable

ECN NO.	REV	DATE	DESCRIPTION	MDF'D	APP'D
	A0	2022.7.3	Initial version	ZsH	Qilin

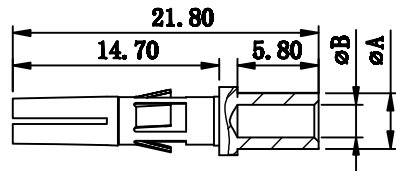
List1



Technical requirements:

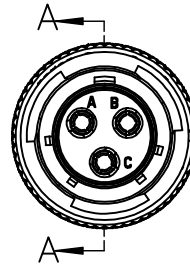
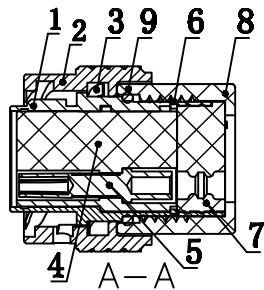
- Material:
- Contact: a. copper alloy/silver plated; Shell: PA66+GF, flame retardant grade UL94-V0; Waterproof parts: NE-1340 silicone rubber;
- Rated voltage: 630V DC;
- Rated current: 20A (2.5mm<sup>2</sup>), 25A (4mm<sup>2</sup>)
- Withstand voltage: 1500V AC
- Insulation resistance:>2000m Ω (normal)
- Working temperature: - 40 C ~+125 C
- Mechanical life:>200 times
- Insertion force:<75N
- Waterproof grade: IP67/IPX9 (matching status)
- With high voltage interlock or not: Yes
- The product meets the ROHS requirements for environmental protection.

9	Oring φ12*1.5	B04-012-015-00001	1	
8	12# Nuts	X01-P03-H1202-003	1	
7	3 core Blocked wire body	X01-003-H1201-C17	1	
6	12# Ring	X01-P01-HKQ1-158	1	
5	φ2.4 Socket assembly	List1	3	
4	3 core Mounting plate	X01-P03-H1201-C17	1	
3	12# Gasket	X01-P01-H1201-008	1	
2	12# Connection Sleeve	List1	1	
1	12# Housing	List1	1	
No	Part Name	PN	NUM	Backup



scale 2:1

socket PN	φA	φB	Wiring
B1-XXC109005	4.0	2.3	2.5mm <sup>2</sup>
B1-XXC109004	4.5	2.9	4mm <sup>2</sup>



List2

Key	A±1°	B±1°	C±1°	D±1°
N Key	105	140	215	265
W Key	30	140	215	265
X Key	105	185	215	265
Y Key	105	140	225	265
Z Key	105	140	215	315

General Tolerance	Angle Tolerance
X ±0.5	±1°
.X ±0.2	
.XX ±0.1	
MATL: SEE-NOTES	
Unless otherwise specified, dimensions are in metric and tolerances are	

**POWER DYNAMICS INC.**

145 Algonquin Parkway, Whippany, NJ 07981

Phone: 1-973-560-0019

e-mail: sales@powerdynamics.com

www.powerdynamics.com

DESIGNER

ZsH

TITLE:

XX109 High Voltage Metal Connector

CHECKED

ZsH

PARTS NO:

A1-XXC1090XX (Plug)

APPROVAL

Qilin



(UNIT): mm

(SCALE): 1:1

(SHT): 1/1

CUSTOMER-DRAWING